

VREF should be 2V if shunt is 5mOhm and we want a 20A max.

IDrive dictates the current to the gate of mosfet, NC means 150ma source and 300ma sink.

Sheet: /MOTOR\_DRIVER2/  
File: MOTOR\_DRIVER.kicad\_sch

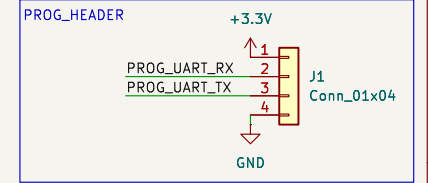
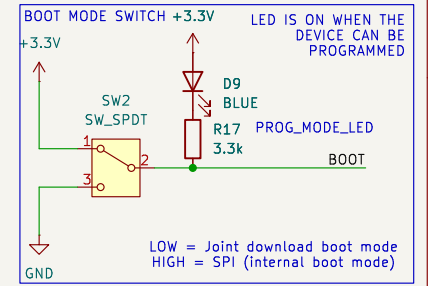
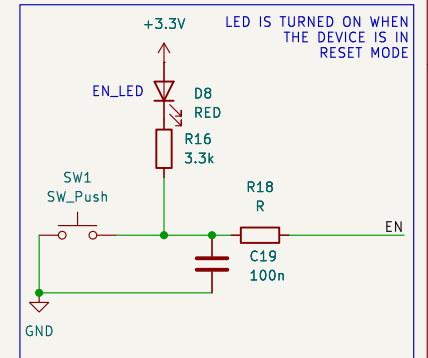
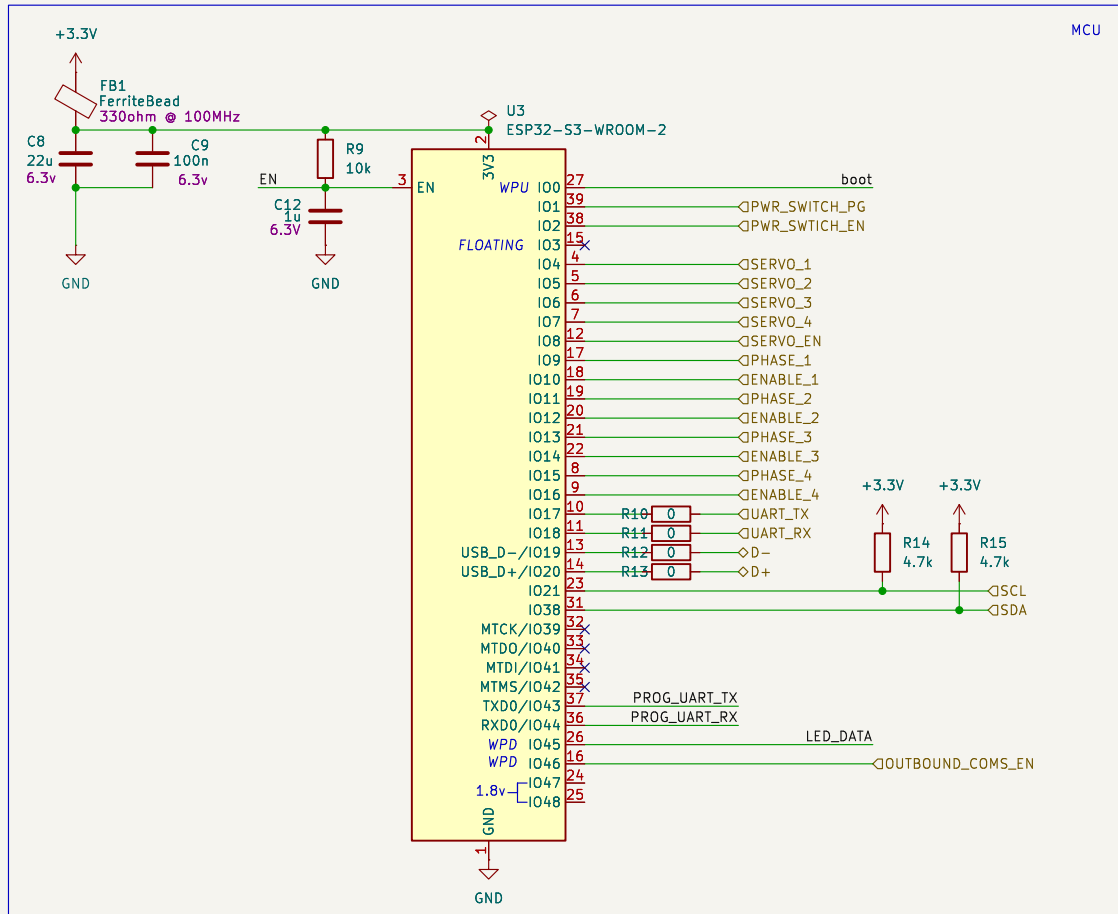
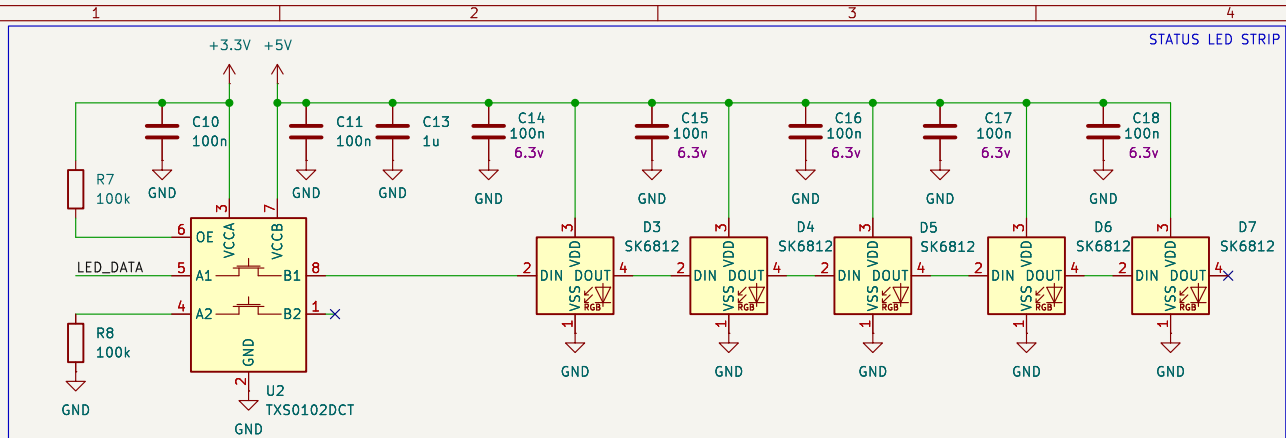
**Title:**

Size: A4  
KiCad E.D.A. 9.0.7

Date:

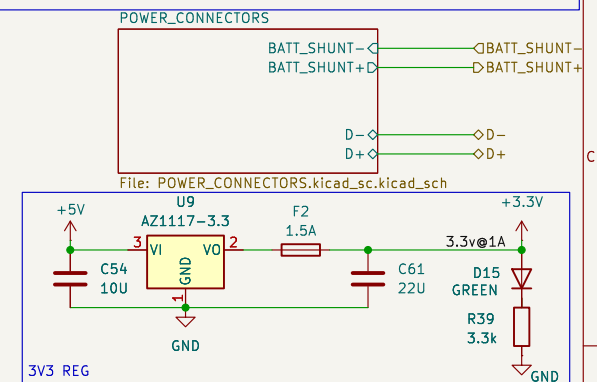
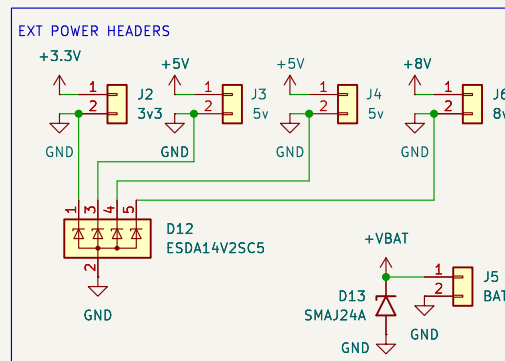
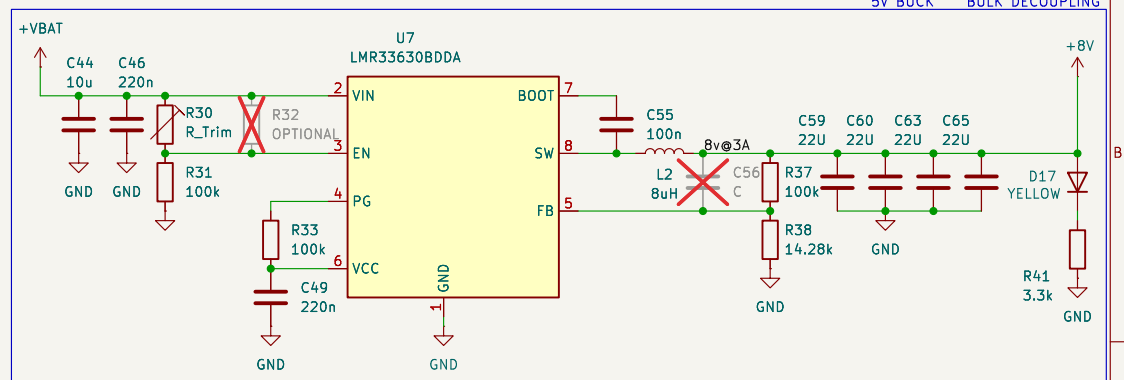
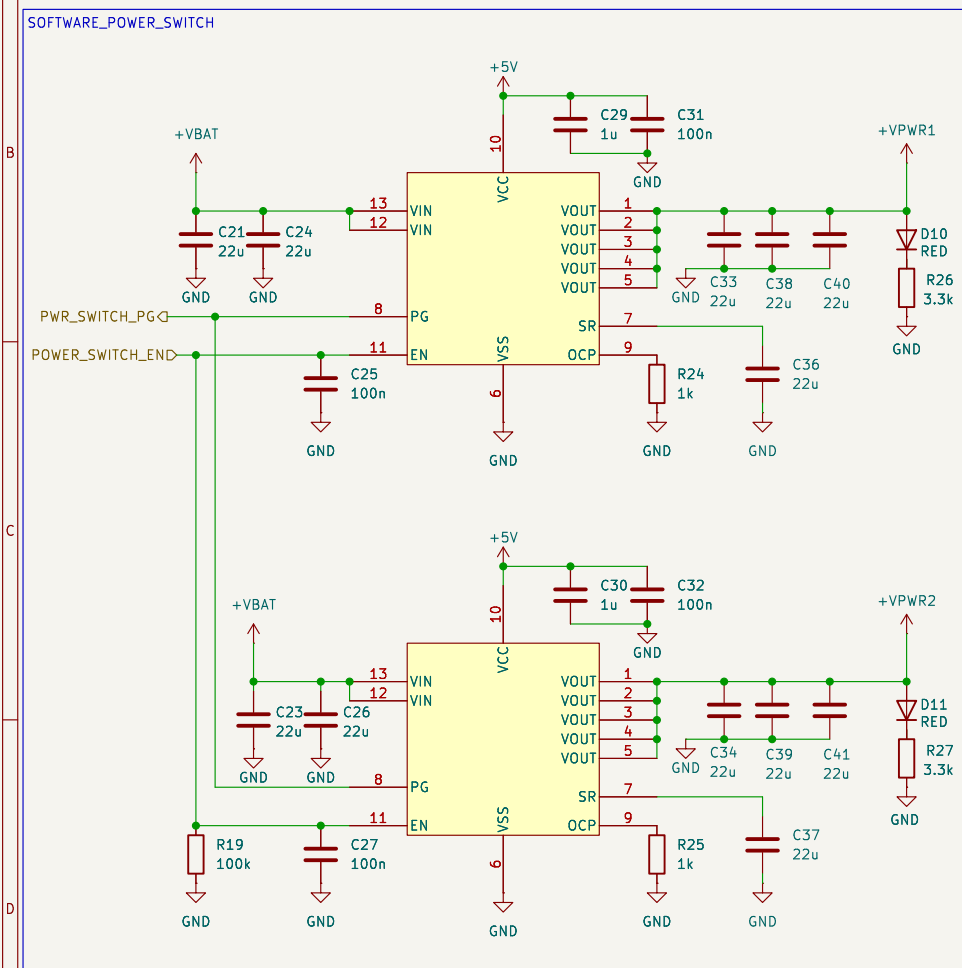
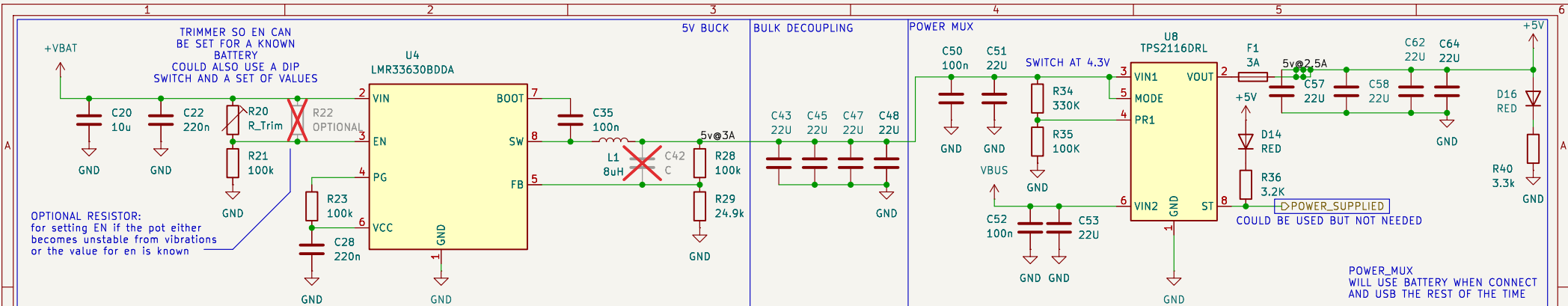
**Rev:**

Id: 2/10



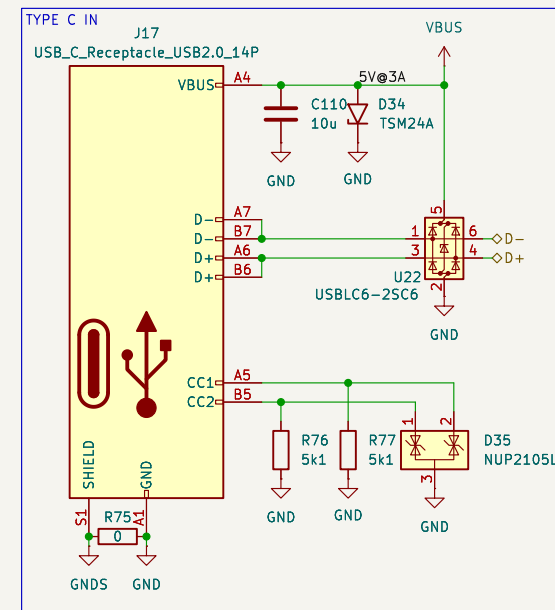
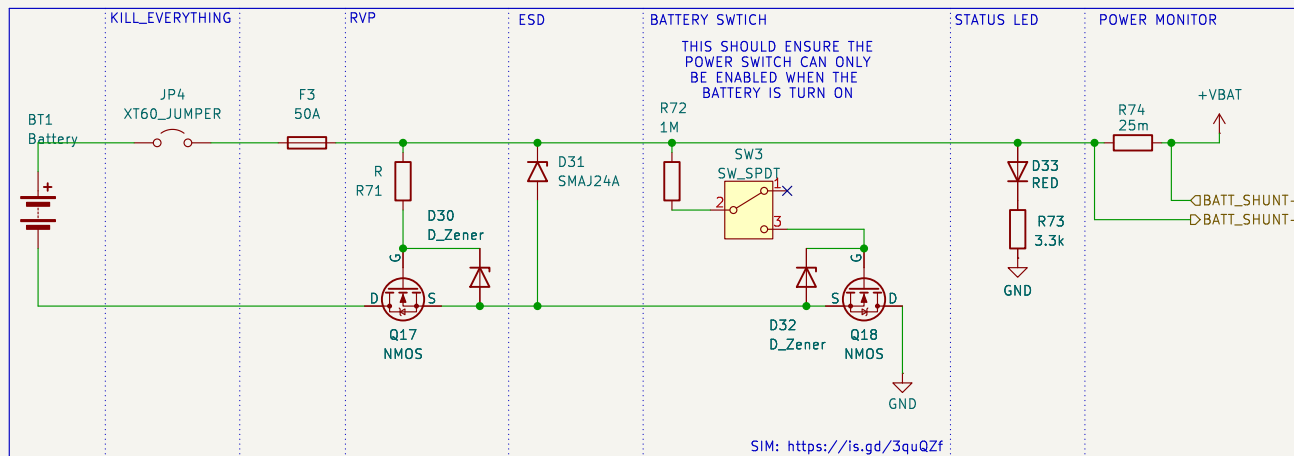
Sheet: /MCU/  
File: MCU.kicad\_sch

<b>Title:</b>		<b>Rev:</b>	
Size: A4	Date:		
KiCad E.D.A. 9.0.7		Id: 3/10	



THE REASON FOR THE POWER MUX IS USB VOLTAGE IS A MIN OF 4.5V IF PASSED THROUGH AN OR-ING DIODE THEN IT WILL DROP IT ENOUGH TO NOT CLEAR THE 4.3V MIN REQUIRED BY THE AZ1117-3.3

PR1 WILL SWITCH @ 1V VOLTAGE DIV WILL SWAP TO VIN1 REACHES 4.3V THE POINT WHERE THE 3.3V REG WILL DROP TOO MUCH VOLTAGE HOWEVER IT IS SUGGESTED THESE ARE REMOVED ONCE TESTING IS DONE



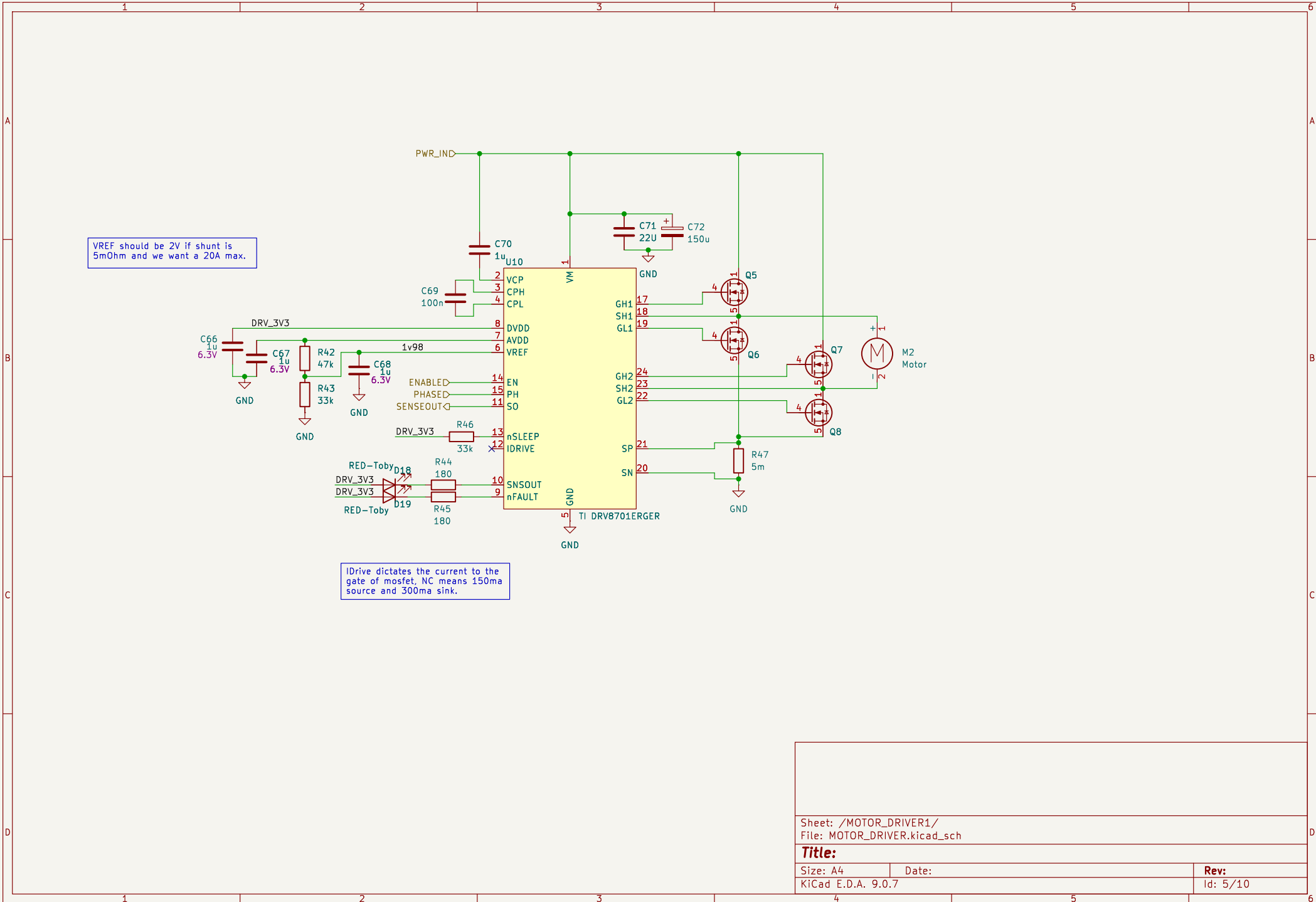
Sheet: /PWR/POWER\_CONNECTORS/  
 File: POWER\_CONNECTORS.kicad\_sc.kicad\_sch

**Title:**

Size: A4  
 KiCad E.D.A. 9.0.7

Date:

Rev:  
 Id: 10/10



Sheet: /MOTOR\_DRIVER1/  
 File: MOTOR\_DRIVER.kicad\_sch

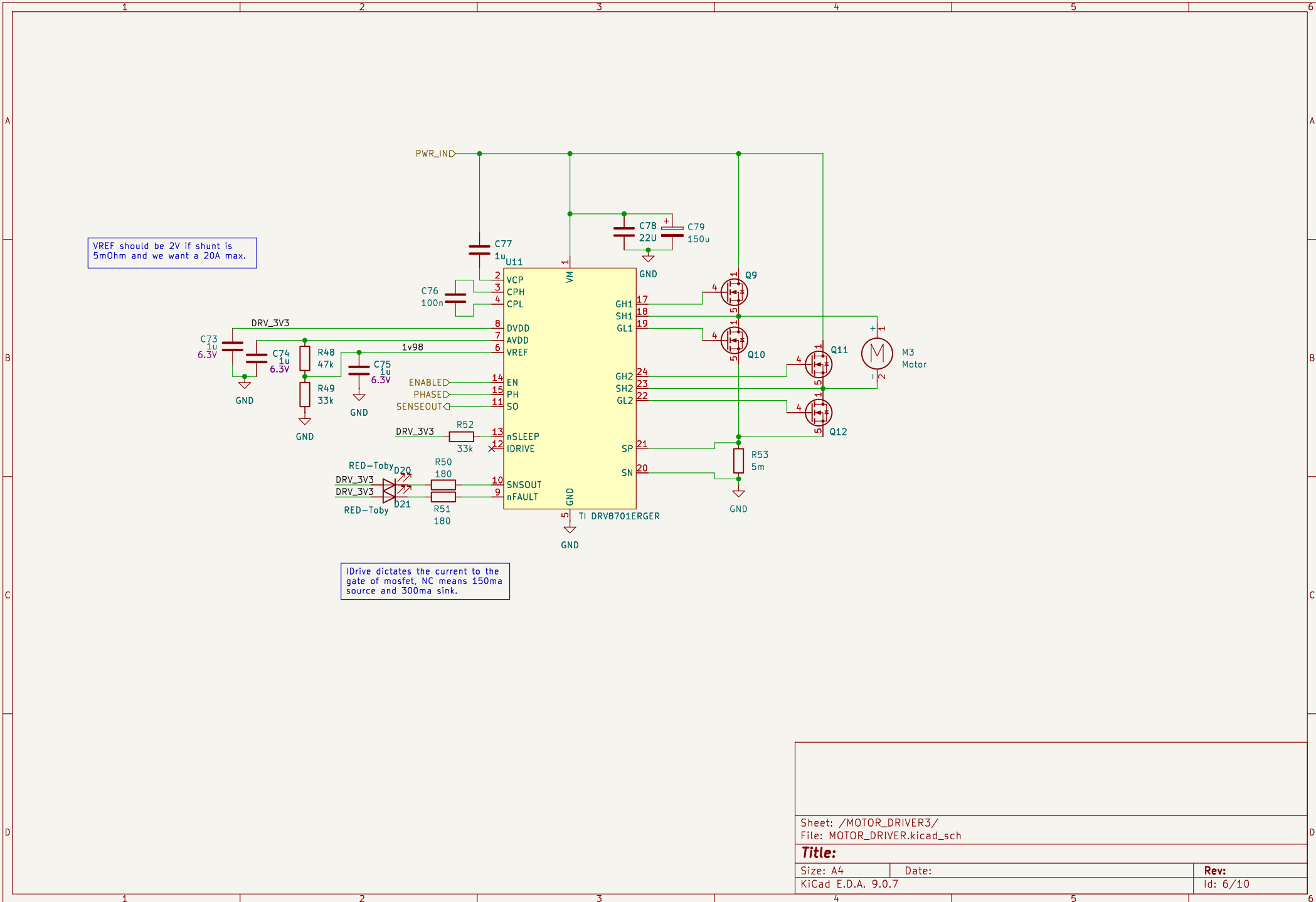
**Title:**

Size: A4  
 KiCad E.D.A. 9.0.7

Date:

**Rev:**

Id: 5/10



Sheet: /MOTOR\_DRIVER3/  
 File: MOTOR\_DRIVER.kicad\_sch

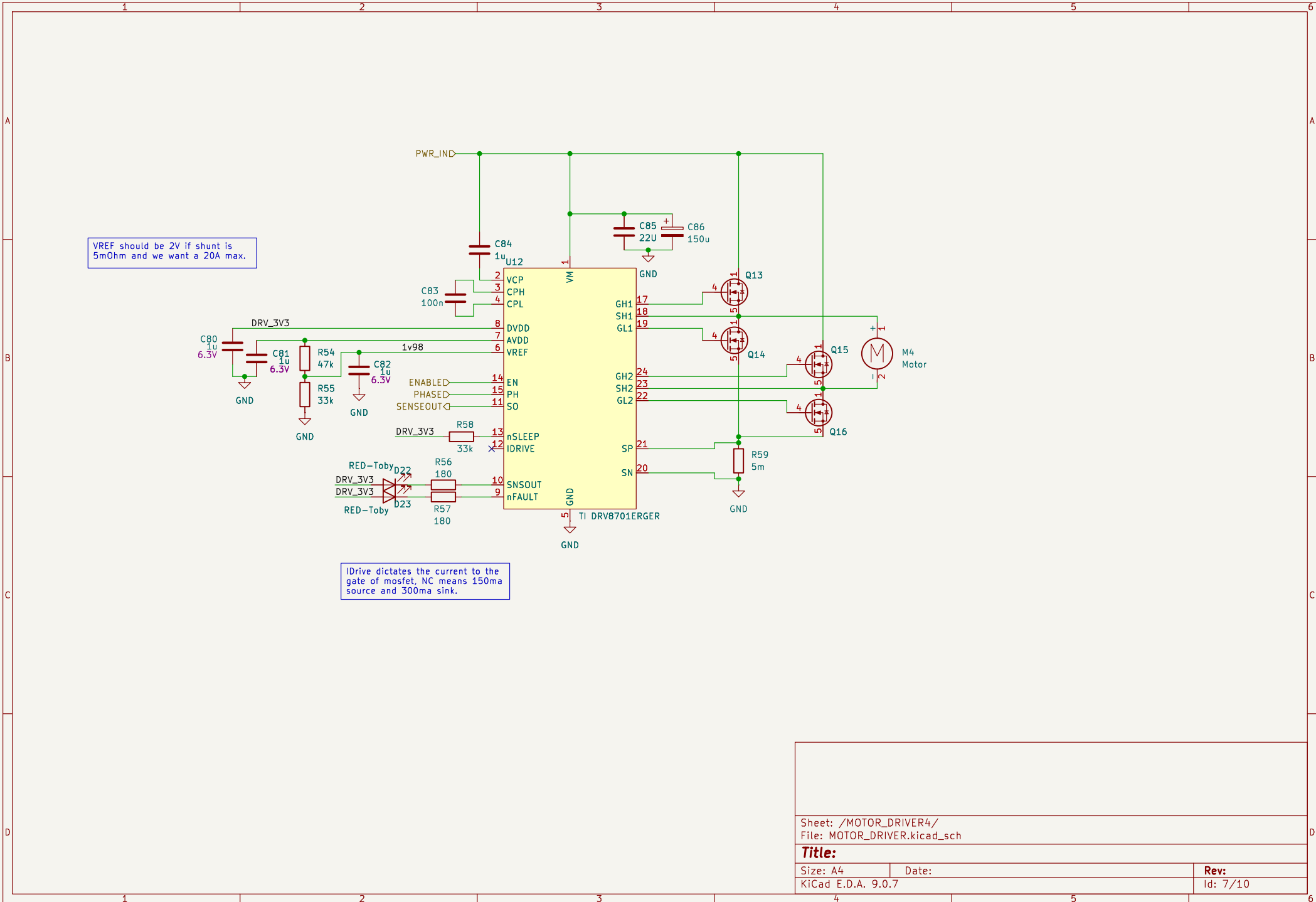
**Title:**

Size: A4  
 KiCad E.D.A. 9.0.7

Date:

**Rev:**

Id: 6/10



Sheet: /MOTOR\_DRIVER4/  
 File: MOTOR\_DRIVER.kicad\_sch

**Title:**

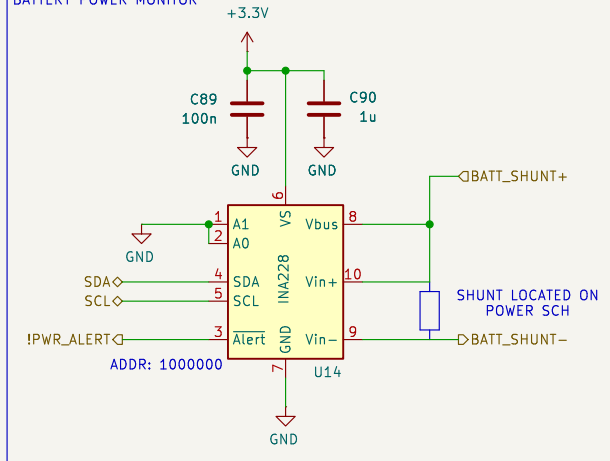
Size: A4  
 KiCad E.D.A. 9.0.7

Date:

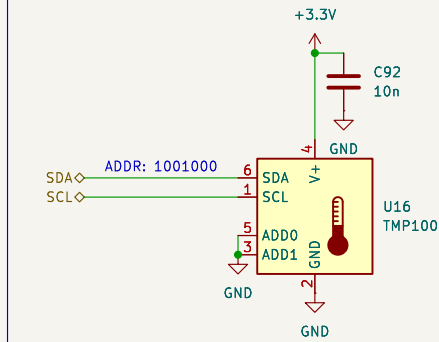
**Rev:**

Id: 7/10

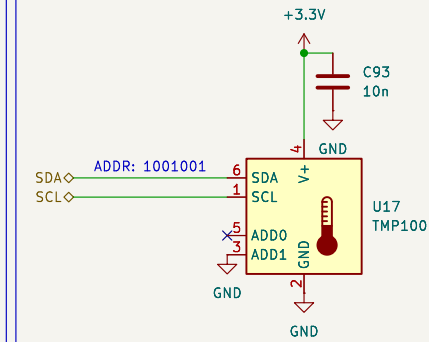
BATTERY POWER MONITOR



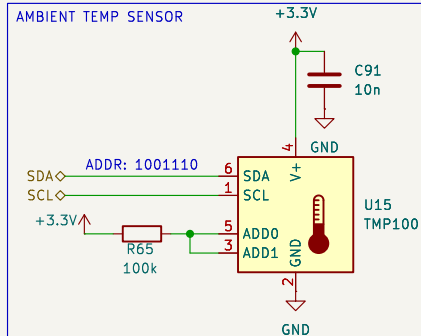
MOTOR DRIVER MOSFET TEMP MEASUREMENT SENSOR



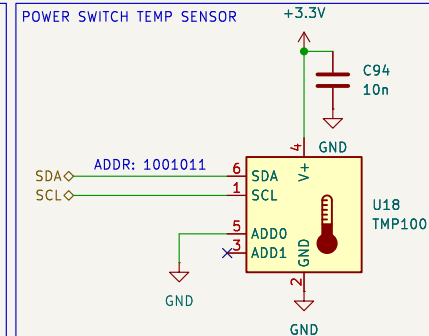
POWER MUX TEMP SENSOR



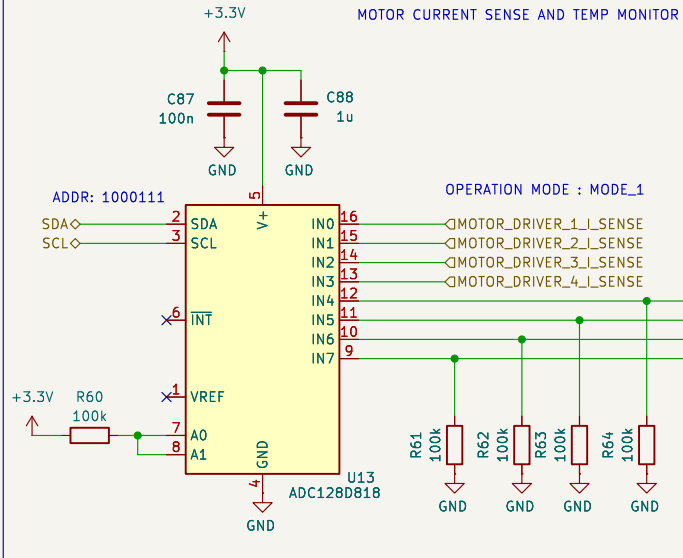
AMBIENT TEMP SENSOR



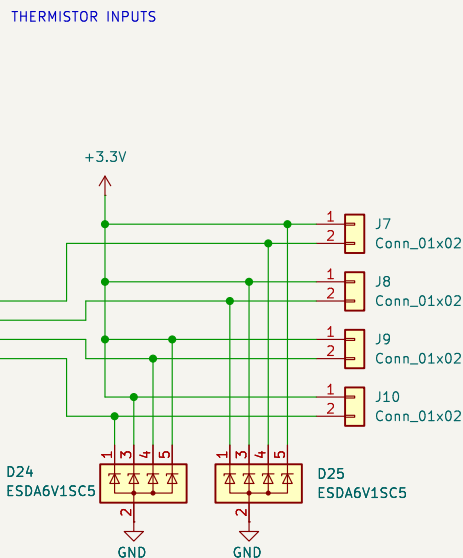
POWER SWITCH TEMP SENSOR



MOTOR CURRENT SENSE AND TEMP MONITOR



THERMISTOR INPUTS



points to measure temp:  
software controlled power switch  
power mux  
motor drivers

Sheet: /BOARD\_STAT\_MESUREMENT/  
File: BOARD\_STAT\_MESUREMENT.kicad\_sch

Title:

Size: A4

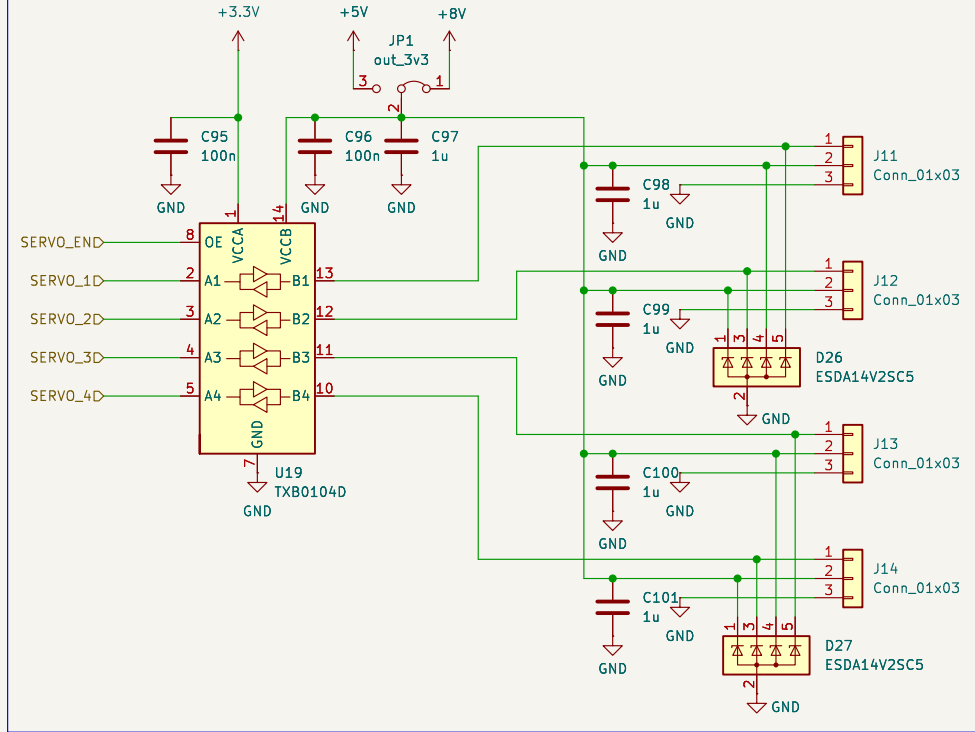
Date:

Rev:

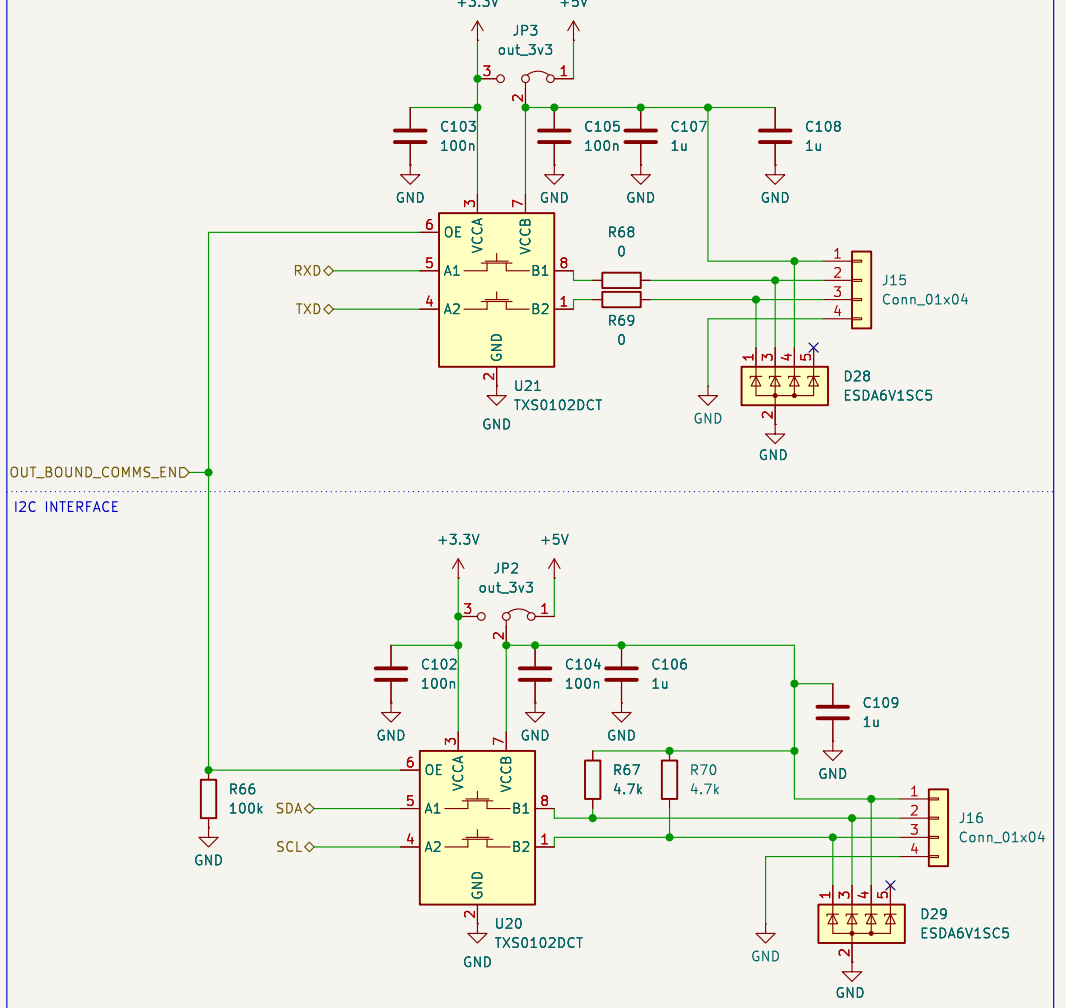
KiCad E.D.A. 9.0.7

Id: 8/10

SERVO INTERFACE



UART INTERFACE



Sheet: /EXTERNAL\_INTERFACING\_DEVICES/  
 File: EXTERNAL\_INTERFACING\_DEVICES.kicad\_sch

Title:

Size: A4  
 KiCad E.D.A. 9.0.7

Date:

Rev:  
 Id: 9/10