

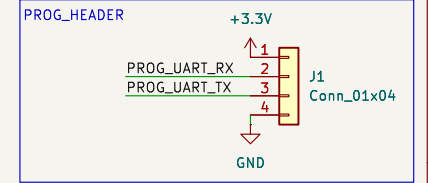
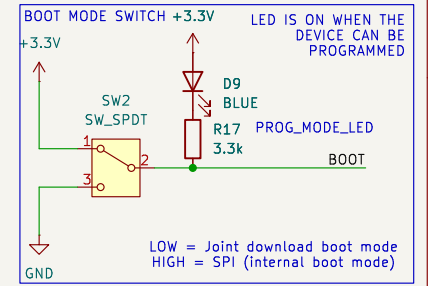
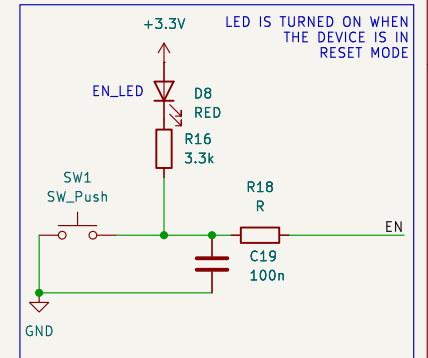
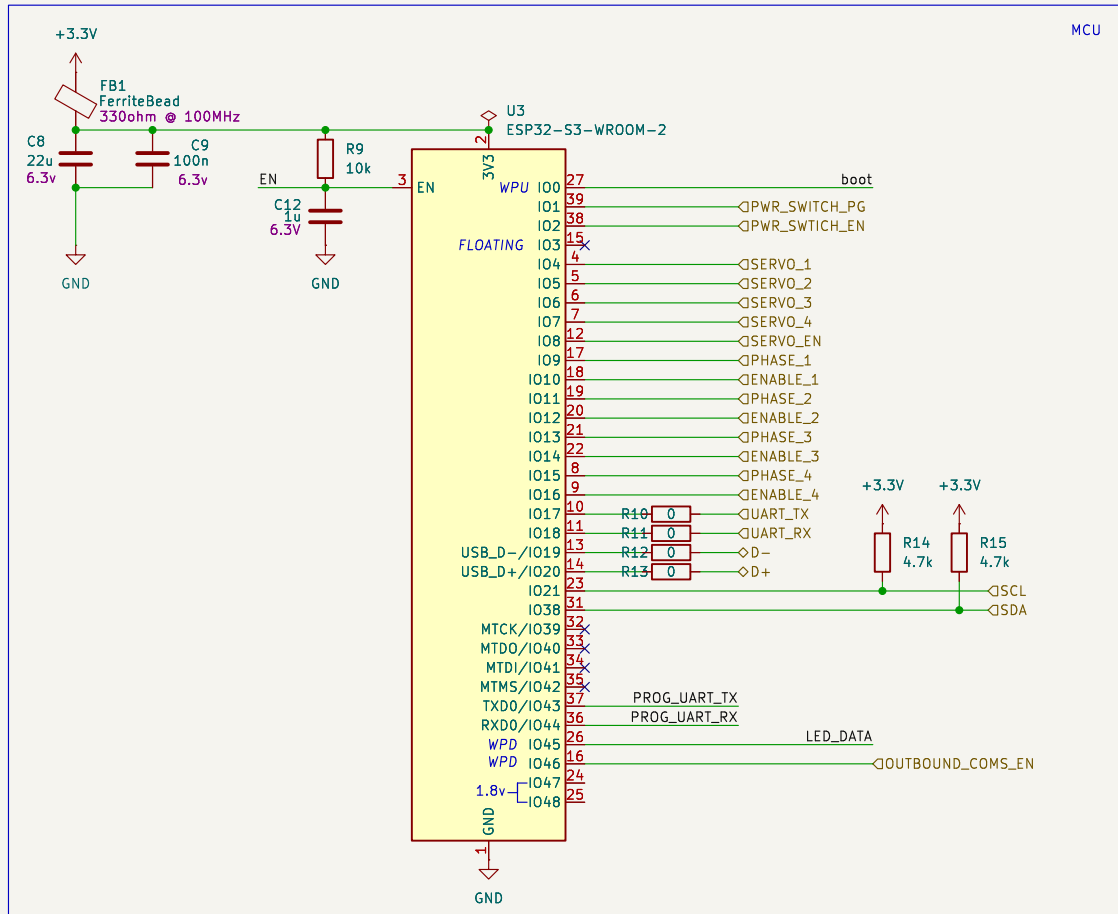
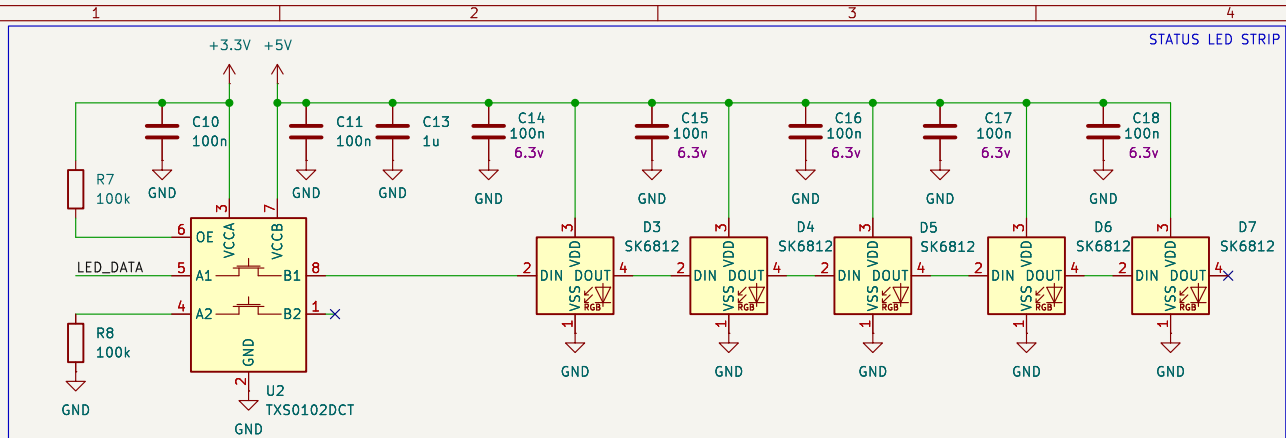
Sheet: /MOTOR_DRIVER2/
 File: MOTOR_DRIVER.kicad_sch

Title:

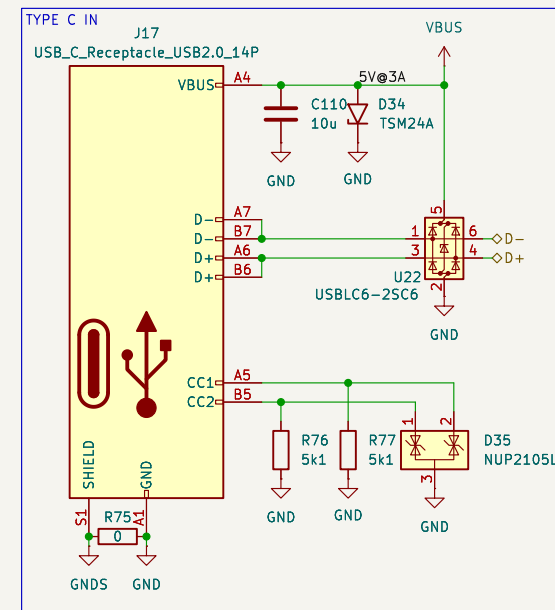
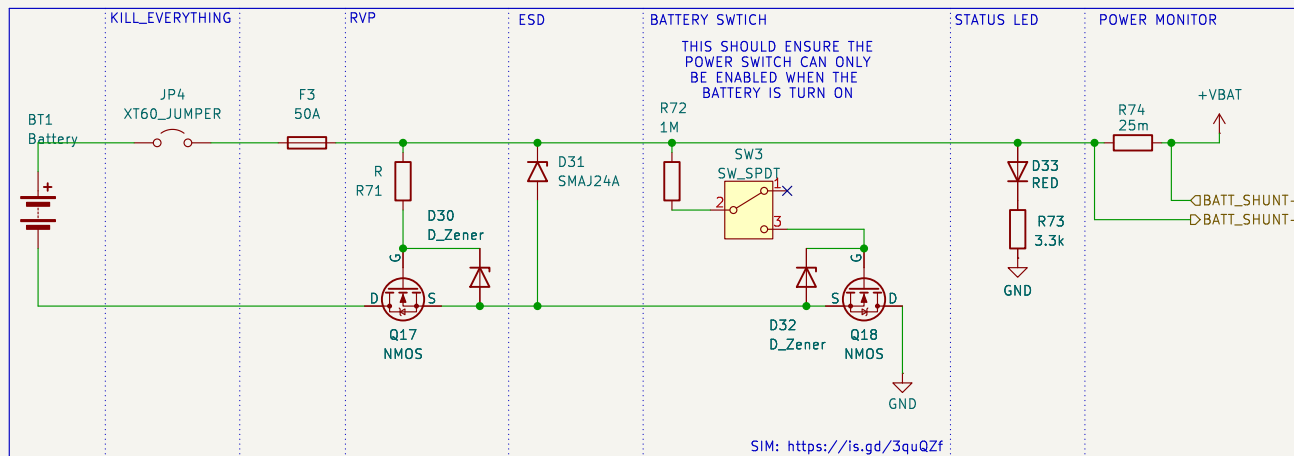
Size: A4
 KiCad E.D.A. 9.0.7

Date:

Rev:
 Id: 2/10



Sheet: /MCU/		Date:	
File: MCU.kicad_sch		Rev:	
Size: A4	KiCad E.D.A. 9.0.7		Id: 3/10



Sheet: /PWR/POWER_CONNECTORS/
 File: POWER_CONNECTORS.kicad_sc.kicad_sch

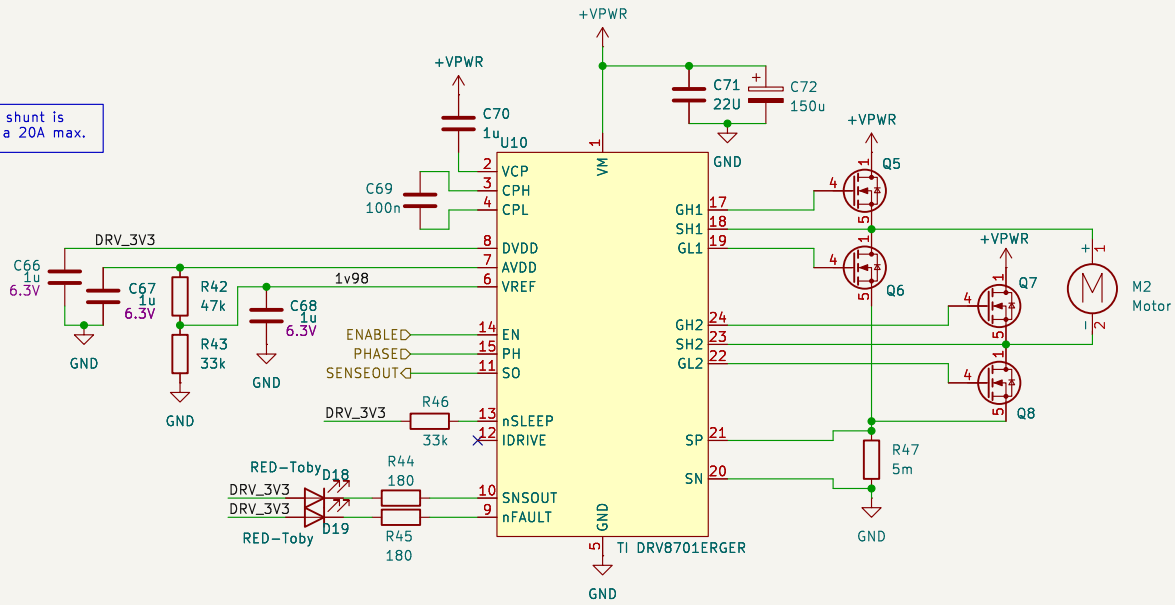
Title:

Size: A4
 KiCad E.D.A. 9.0.7

Date:

Rev:
 Id: 10/10

VREF should be 2V if shunt is 5mOhm and we want a 20A max.



iDrive dictates the current to the gate of mosfet, NC means 150ma source and 300ma sink.

Sheet: /MOTOR_DRIVER1/
File: MOTOR_DRIVER.kicad_sch

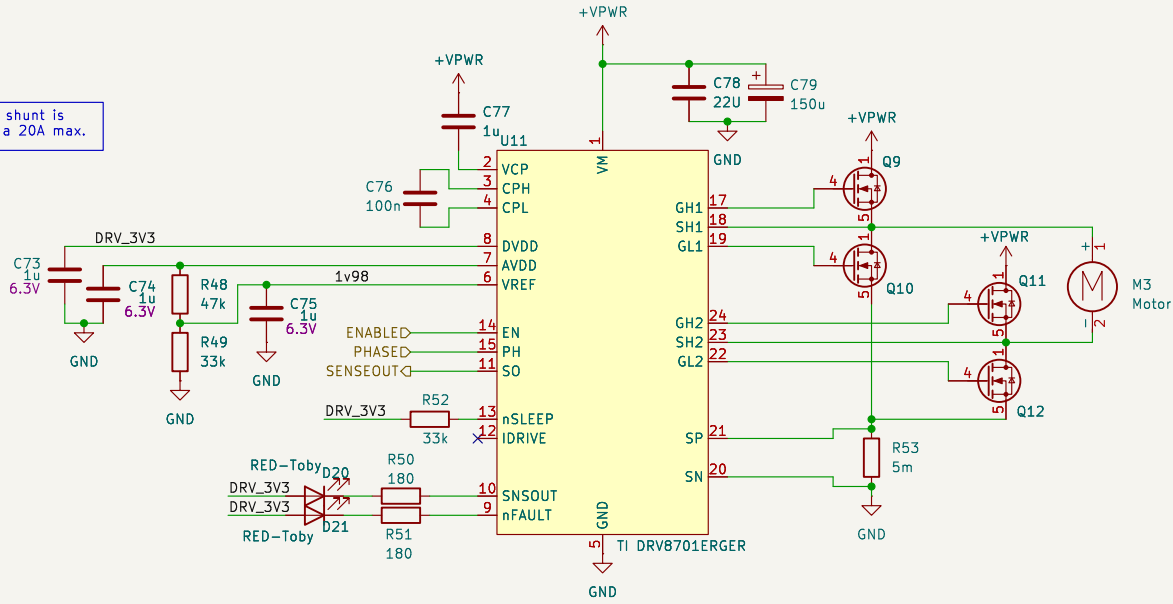
Title:

Size: A4
KiCad E.D.A. 9.0.7

Date:

Rev:
Id: 5/10

VREF should be 2V if shunt is 5mOhm and we want a 20A max.



IDrive dictates the current to the gate of mosfet, NC means 150ma source and 300ma sink.

Sheet: /MOTOR_DRIVER3/
File: MOTOR_DRIVER.kicad_sch

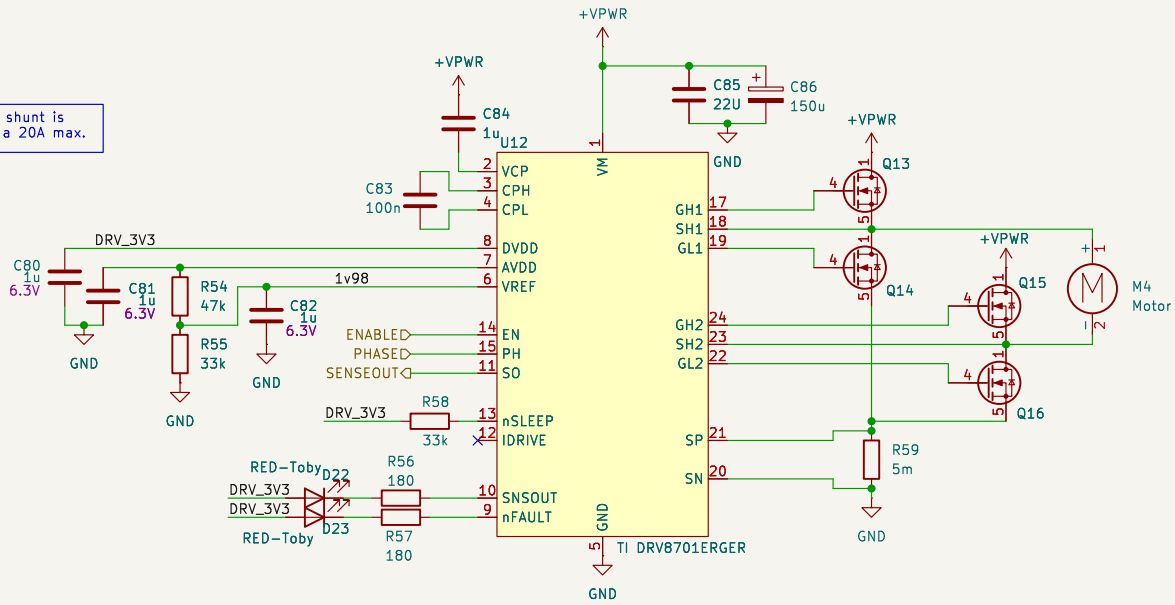
Title:

Size: A4
KiCad E.D.A. 9.0.7

Date:

Rev:
Id: 6/10

VREF should be 2V if shunt is 5mOhm and we want a 20A max.



IDrive dictates the current to the gate of mosfet, NC means 150ma source and 300ma sink.

Sheet: /MOTOR_DRIVER4/
File: MOTOR_DRIVER.kicad_sch

Title:

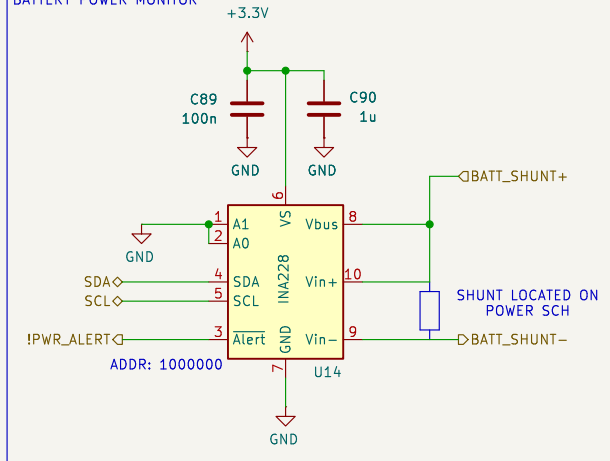
Size: A4
KiCad E.D.A. 9.0.7

Date:

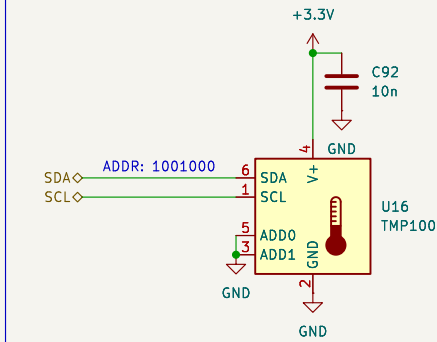
Rev:

Id: 7/10

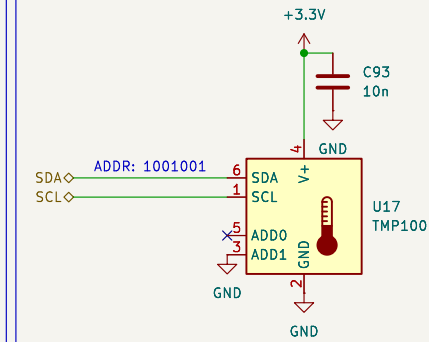
BATTERY POWER MONITOR



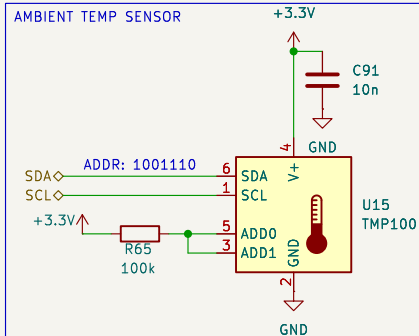
MOTOR DRIVER MOSFET TEMP MEASUREMENT SENSOR



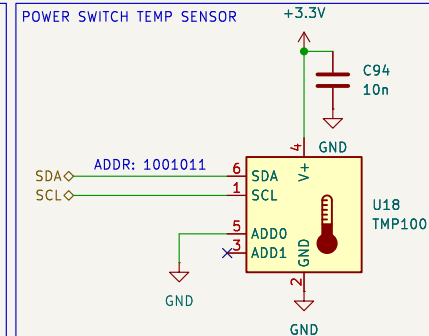
POWER MUX TEMP SENSOR



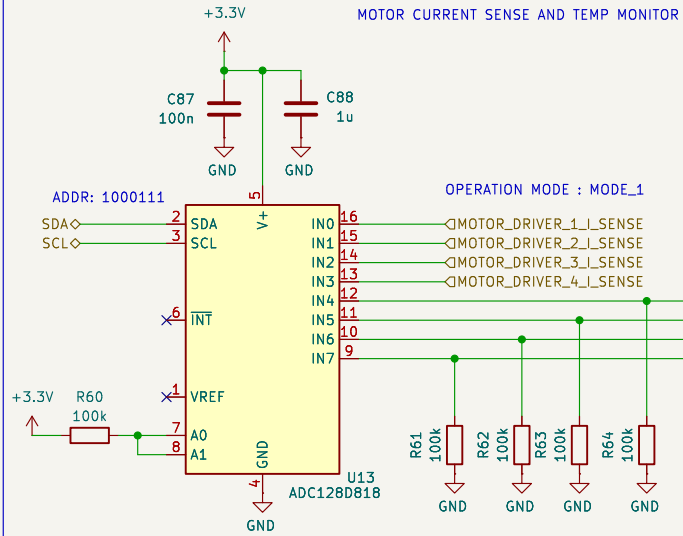
AMBIENT TEMP SENSOR



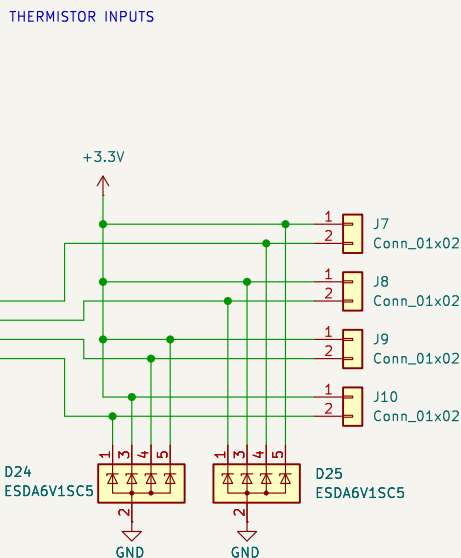
POWER SWITCH TEMP SENSOR



MOTOR CURRENT SENSE AND TEMP MONITOR



THERMISTOR INPUTS



points to measure temp:
software controlled power switch
power mux
motor drivers

Sheet: /BOARD_STAT_MESUREMENT/
File: BOARD_STAT_MESUREMENT.kicad_sch

Title:

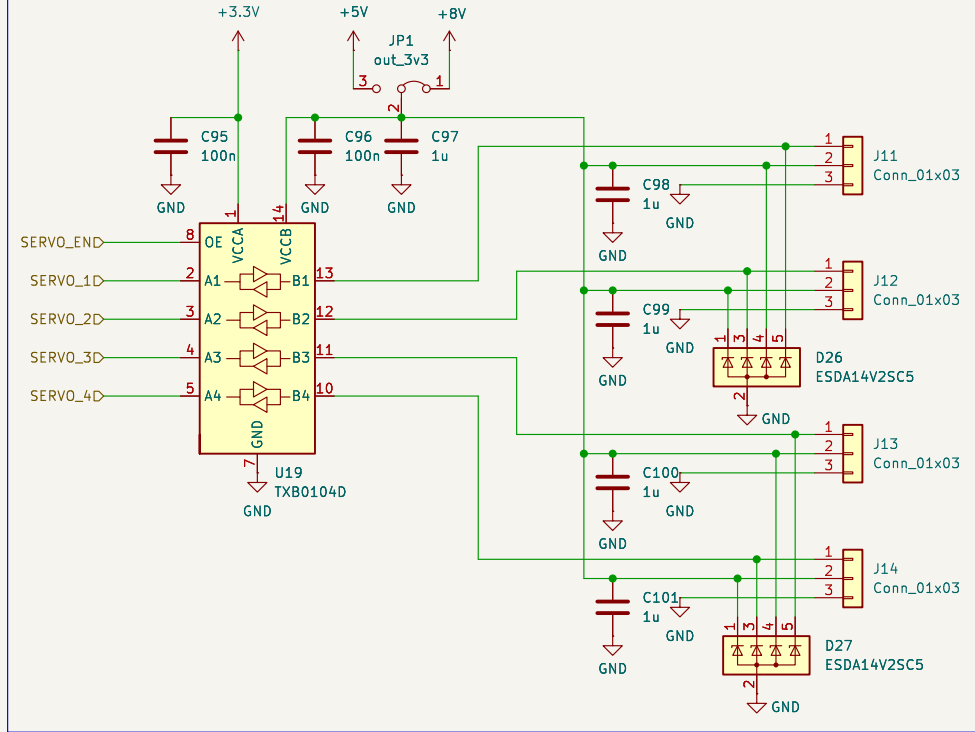
Size: A4
KiCad E.D.A. 9.0.7

Date:

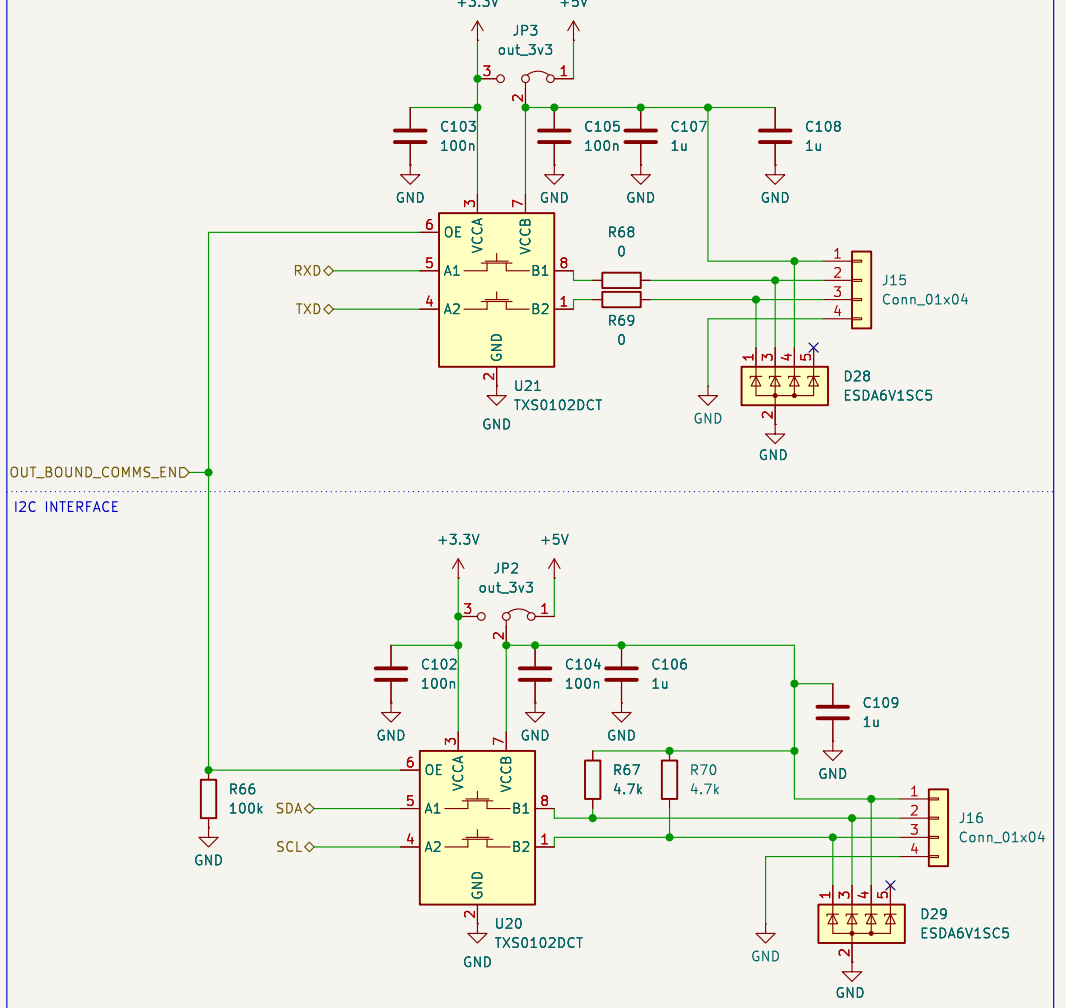
Rev:

Id: 8/10

SERVO INTERFACE



UART INTERFACE



Sheet: /EXTERNAL_INTERFACING_DEVICES/
 File: EXTERNAL_INTERFACING_DEVICES.kicad_sch

Title:

Size: A4

Date:

Rev:

KiCad E.D.A. 9.0.7

Id: 9/10