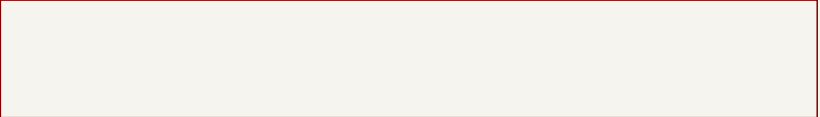


	1	2	3	4	5	6
A						A
B						B
C						C
D						D
	1	2	3	4	5	6

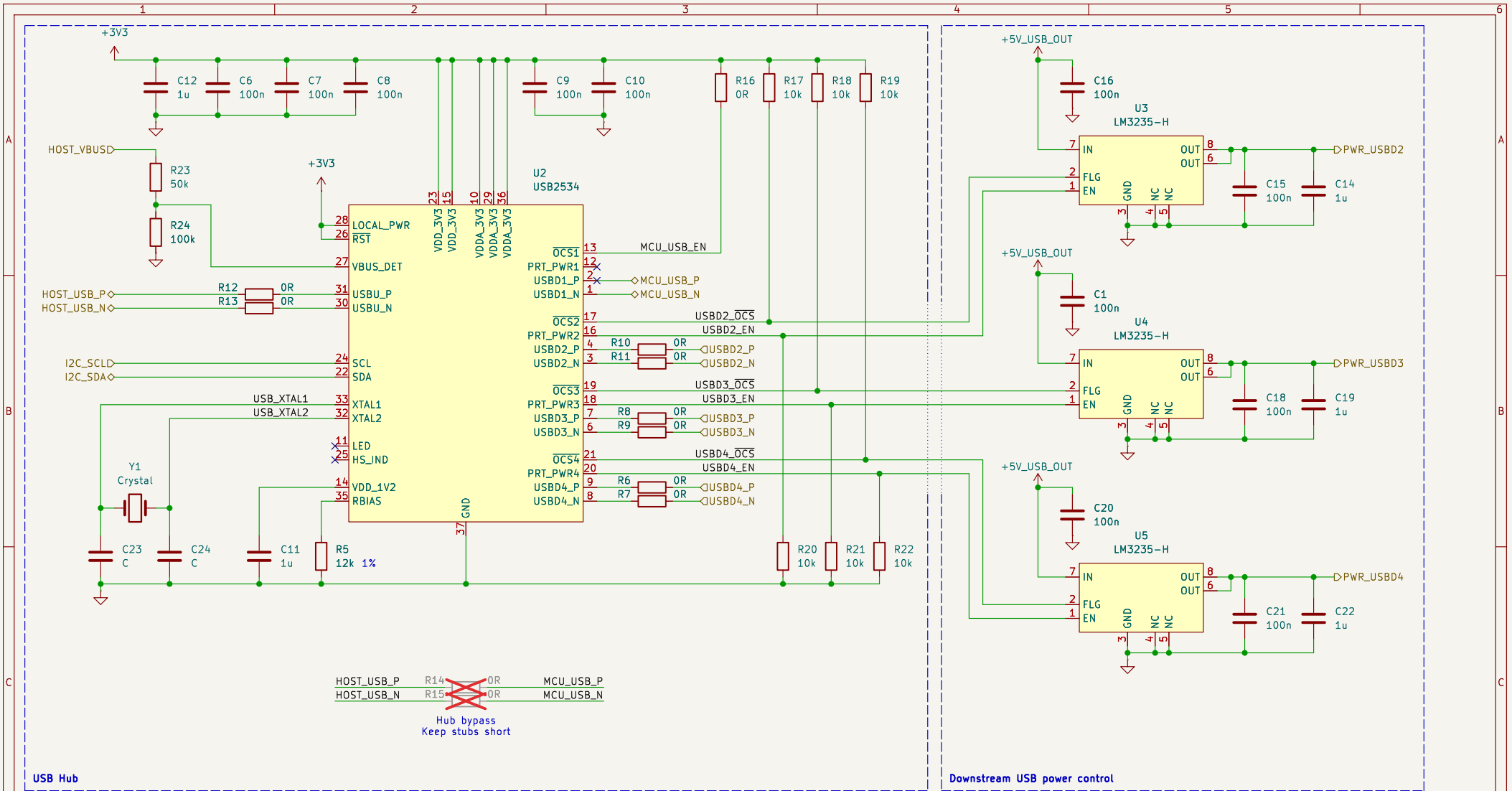


Sheet: /keyboard_interface/
File: keyboard_interface.kicad_sch

Title:

Size: A4	Date:	Rev:
----------	-------	-------------

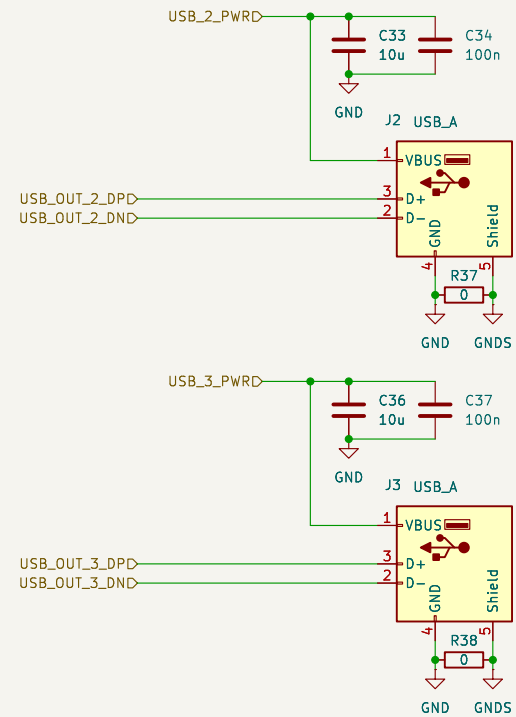
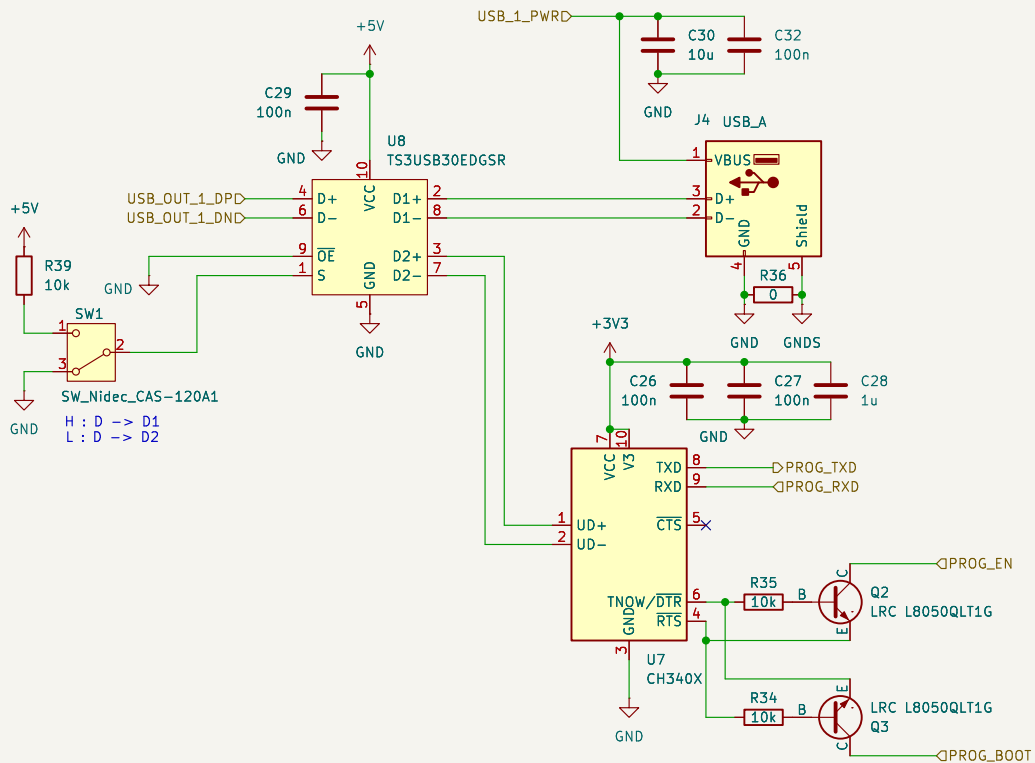
KiCad E.D.A. 9.0.6	Id: 3/7
--------------------	---------



Notes
 USB-C PU/PD config:
<https://ww1.microchip.com/downloads/aemDocuments/documents/OTH/ApplicationNotes/ApplicationNotes/00001953A.pdf>

Sheet: /USB_hub/
 File: USB_interface.kicad_sch

Title:
 Size: A4 Date:
 KiCad E.D.A. 9.0.6 **Rev:**
 Id: 4/7



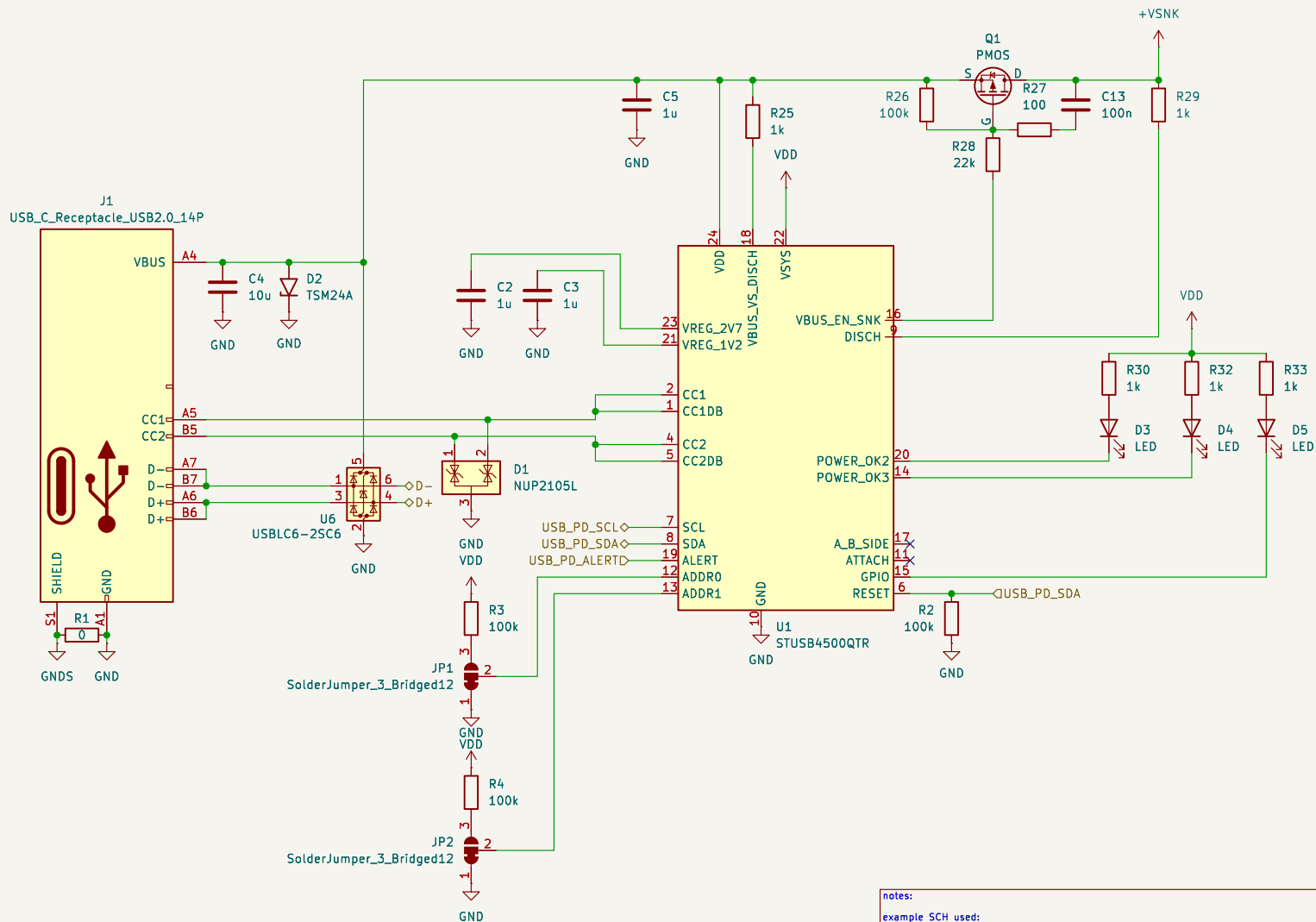
Sheet: /USB_output_n_prog/
 File: programming_interface.kicad_sch

Title:

Size: A4
 KiCad E.D.A. 9.0.6

Date:

Rev:
 Id: 5/7

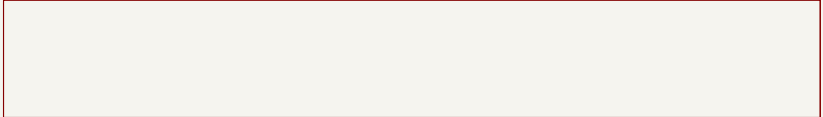


notes:
 example SCH used:
https://cdn.sparkfun.com/assets/9/2/6/8/6/SparkFun_PowerDeliveryBoardSchematic.pdf

Sheet: /USB_input/
 File: PWR.kicad_sch

Title:	
Size: A4	Date:
KiCad E.D.A. 9.0.6	Rev: Id: 6/7

	1	2	3	4	5	6
A						
B						
C						
D						
	1	2	3	4	5	6



Sheet: /POWER/		Date:	
File: POWER.kicad_sch		Rev:	
Size: A4	KiCad E.D.A. 9.0.6		Id: 7/7